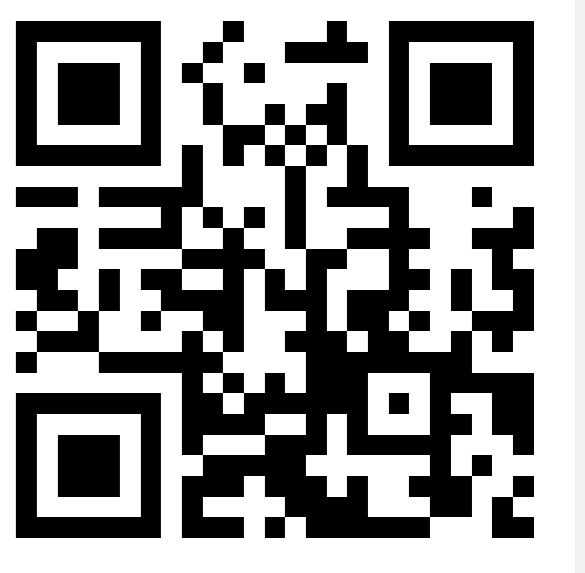


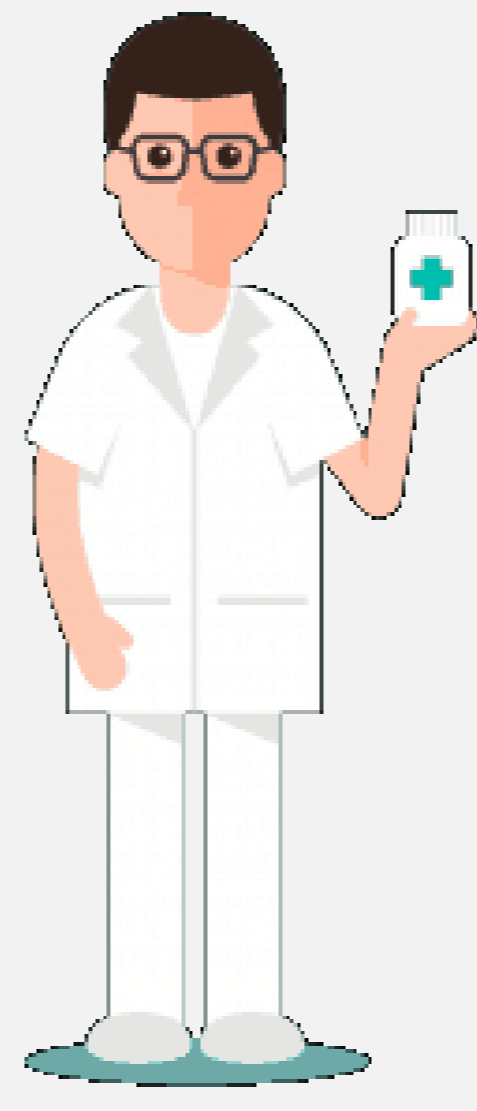
INTERACTIONS BETWEEN ALTERNATIVE THERAPIES AND PRODUCTS IN CLINICAL TRIAL IN ONCO-HEMATOLOGY



A. TOULEMONDE¹, C. BENSOUSSAN¹, C. DAVOINE¹, F. CARTIER¹, I. MADELAINE¹
¹Hôpital Saint Louis (AP-HP), Pharmacy, Paris, FRANCE

Background

- Rise of oral cancer treatments (with many molecules in clinical trials)
- Rise of patients who wish use alternative therapies and products
- There are RISKS : drug interactions, additional toxicities...

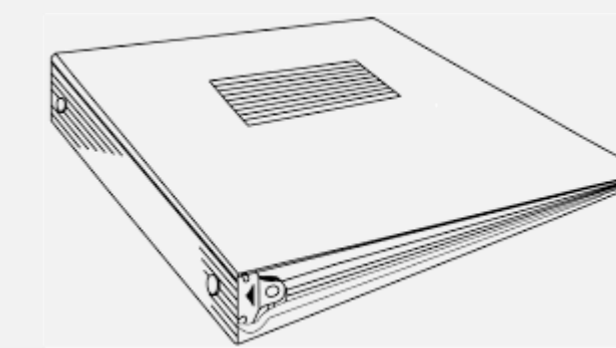


Hospital pharmacist is responsible of the proper use of drugs used in clinical trials

To help him : documents supplied by the sponsor



Investigator's brochure



Protocol

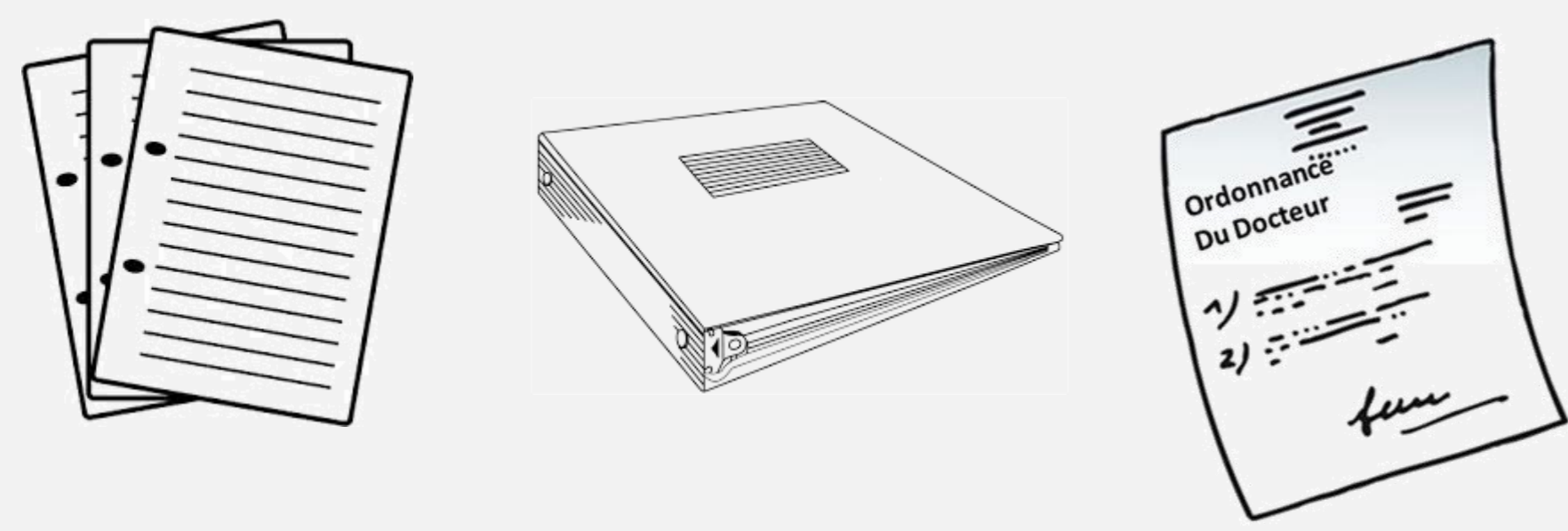


Prescription

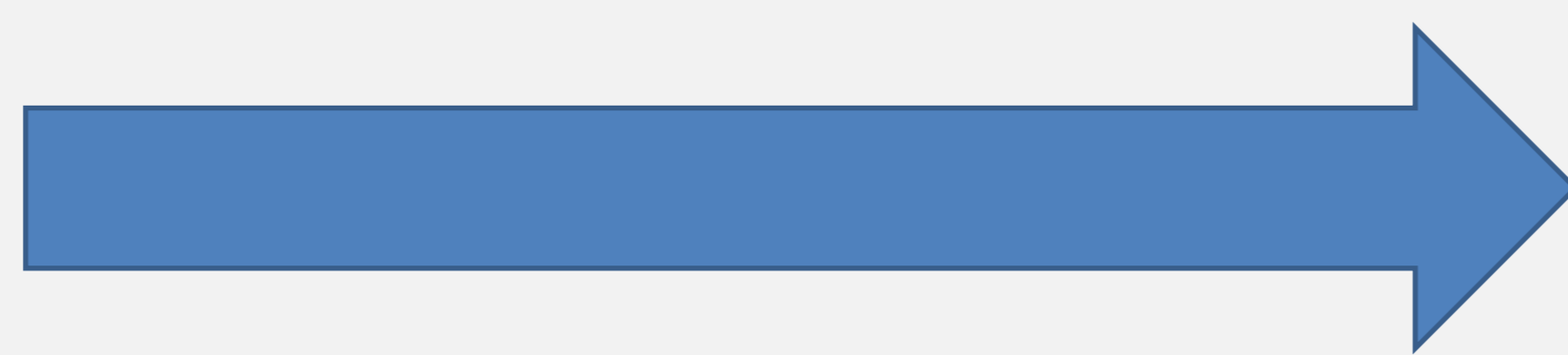
The main objective of this study is to analyse information given by sponsors on the use of ATP in association with OCT in clinical trials

ATP : alternative treatment product / OCT : oral cancer treatments

Methods



INVENTORY for each clinical trial



CHECKING if use of alternative therapy products is mentioned

ASSESSMENT if they are recorded

- qualitatively and quantitatively
- their readability : 😊 😐 😞

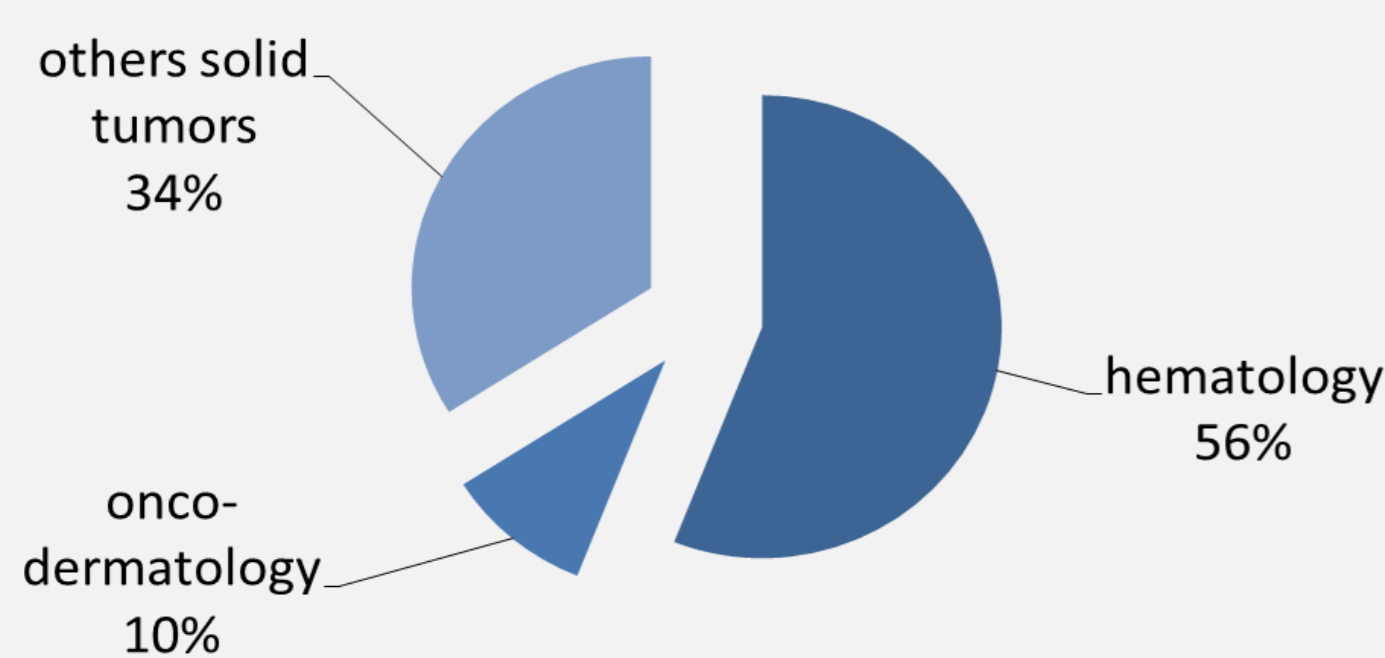
< 5 min > 10 min
5-10 min

Results

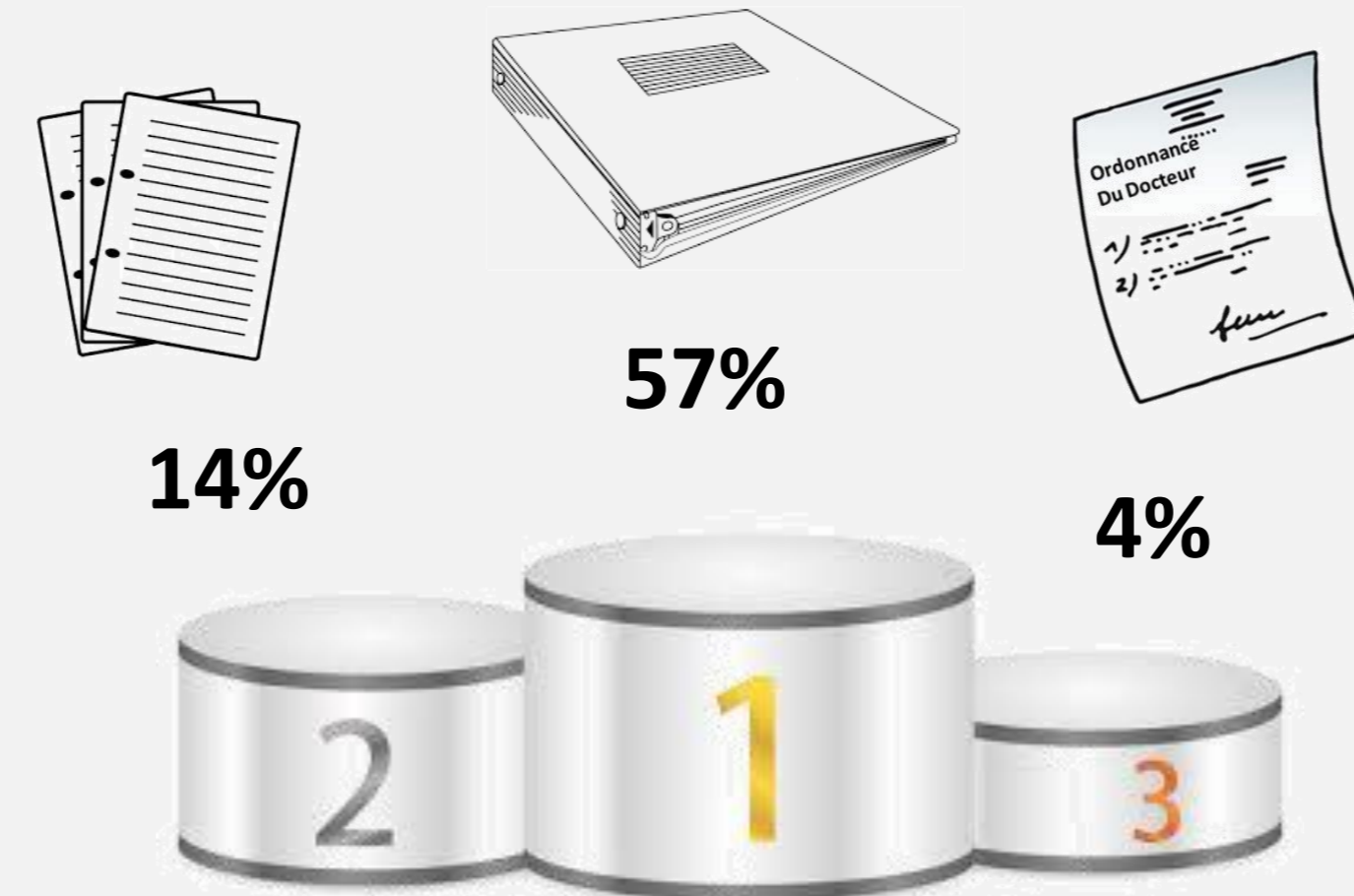
N = 73 trials with at least one OCT

61 in monotherapy
11 in bitherapy
1 in tritherapy

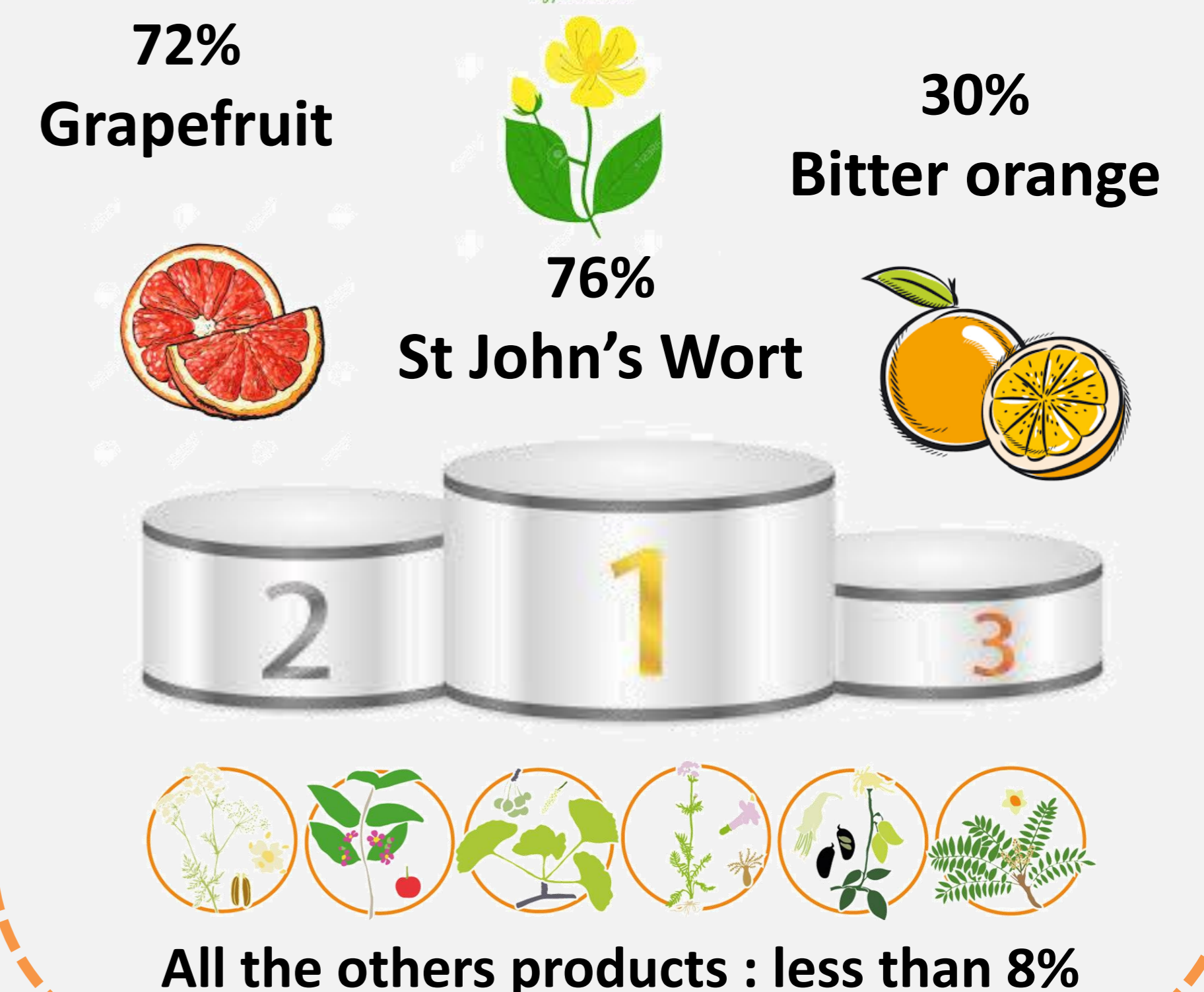
Indication (%)



At least, one information related to alternative therapy products is found :



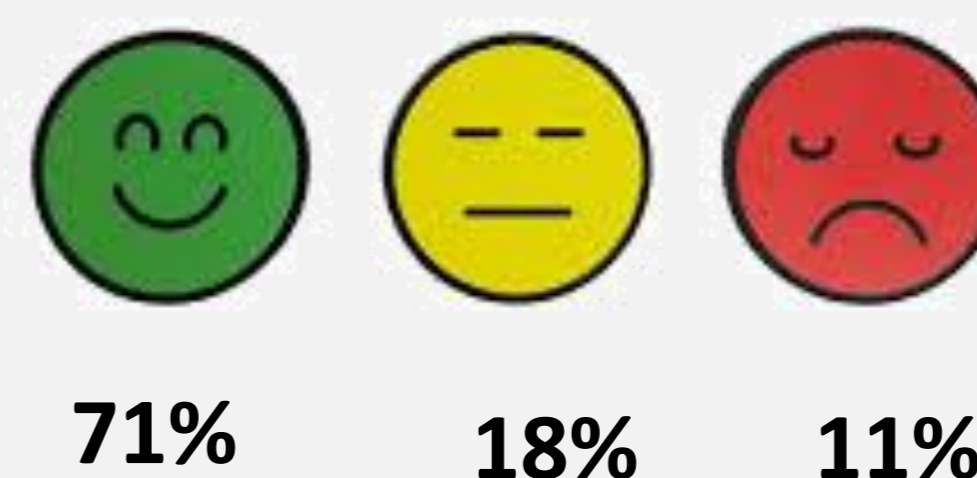
Mentioned products are :



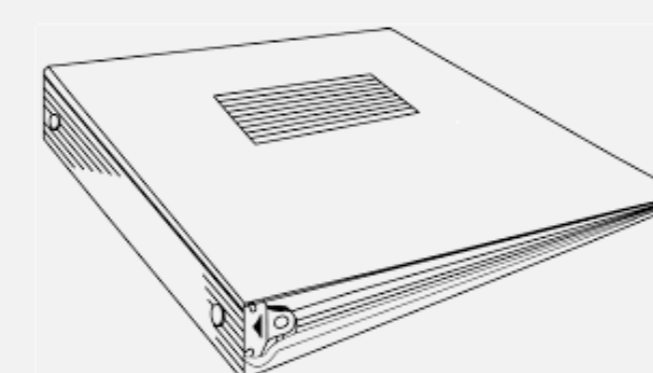
Only **2 protocols** mention possible interaction with "herbal medicines products"



Readability :



Information is easier to read for :



Conclusions

The **key document** to find information on alternative therapy products is **the protocol**, where information is easy readable. However, **only grapefruit and St John's Wort are mentioned** in main cases. In view of their rising uses, **additional trainings** should be offered to the pharmacist and a **particular mention** should be indicated on the **prescription form**, as a routine document, circulating between patient, doctor and pharmacist.